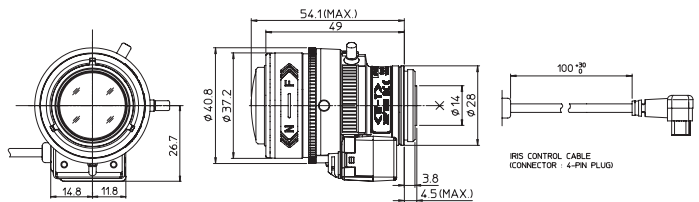


# HD Vari-Focal (2.8-8mm)

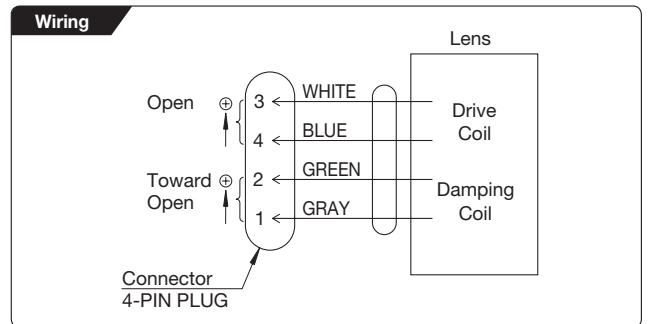
## YV2.8x2.8SR4A-SA2

2.8x Applicable camera (model) 1 2/3 1/2 1/2.7 1/3 1/4 For Security



Unit : mm

YV2.8x2.8SR4A-SA2			
Focal Length (mm)		2.8 - 8 (2.8x)	
Iris Range		F1.3 - T360	
Operation	Zoom	Manual	
	Focus	Manual	
	Iris	Auto (DC type) <sup>*1</sup>	
Angle Of View (HxV)	1/2.7"	WIDE	112°33' × 81°21'
		TELE	38°53' × 29°08'
	1/3"	WIDE	100°34' × 73°22'
		TELE	35°16' × 26°26'
	1/4"	WIDE	73°22' × 54°18'
		TELE	26°26' × 19°49'
Angle Of View (HxV) Aspect Ratio 16 : 9	1/2.7"	WIDE	125°6' × 65°35'
		TELE	42°23' × 23°47'
	1/3"	WIDE	111°8' × 59°19'
		TELE	38°27' × 21°35'
	1/4"	WIDE	80°23' × 44°13'
		TELE	28°47' × 16°13'
Focusing Range (From Front Of The Lens) (m)		∞ - 0.3	
Object Dimensions at M.O.D. (HxV) (mm)	1/2.7"	WIDE	917 × 525
		TELE	226 × 166
	1/3"	WIDE	737 × 455
		TELE	204 × 151
	1/4"	WIDE	456 × 314
		TELE	151 × 112
Object Dimensions at M.O.D. (HxV) (mm) Aspect Ratio 16 : 9	1/2.7"	WIDE	1181 × 394
		TELE	248 × 135
	1/3"	WIDE	895 × 348
		TELE	224 × 122
	1/4"	WIDE	517 × 249
		TELE	165 × 91
Back Focal Distance (in air) (mm)		8.49	
Exit Pupil Position (From Image Plane) (mm)		217	
Filter Thread (mm)		-	
Mount		CS	
Mass (g)		60	
Coil Resistance		Drive Coil	190 Ω
		Damping Coil	500 Ω
Current Consumption		23mA(Max.) at DC 4V	
Remarks		<ul style="list-style-type: none"> <li>•With Metal Mount</li> <li>(*1) When power is turned off, iris will automatically close.</li> </ul> YV2.8x2.8SR4A-SA2L : Long Cable Type (230mm)	



[Lens Image]

